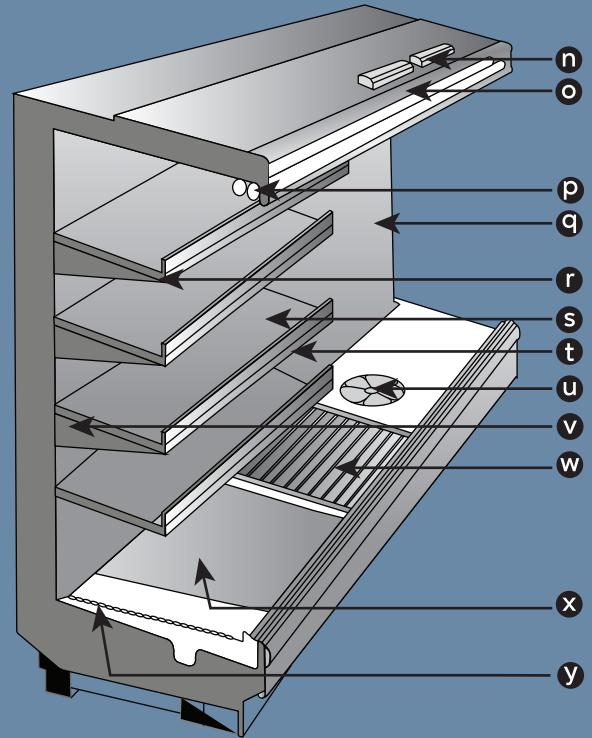
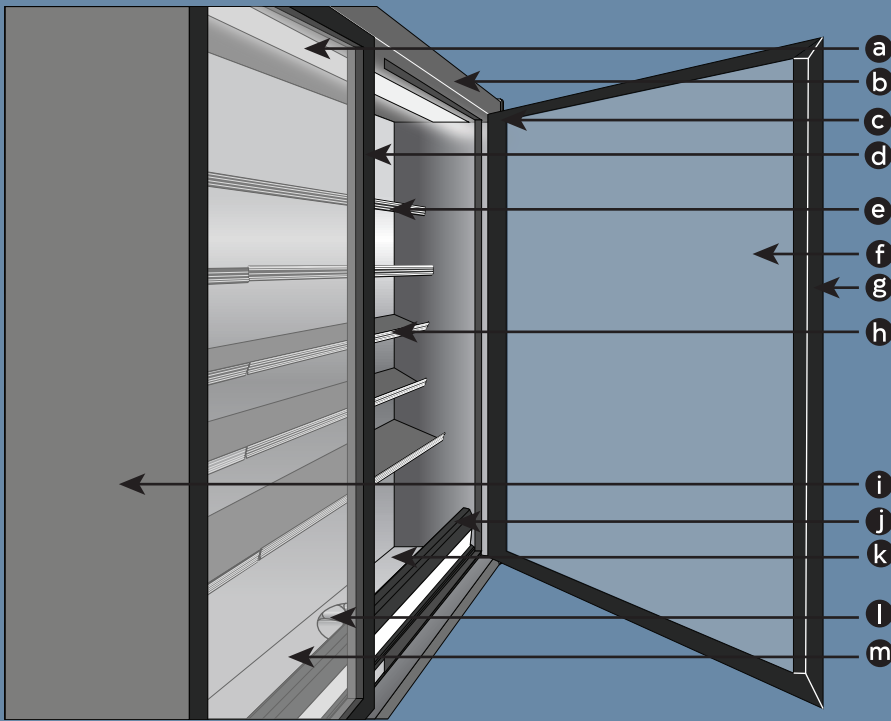


# Quality Parts For Supermarket, Grocery, C-Store, and Foodservice. Everything But The Food!



- a. LED Driver/Fluorescent Ballast.
- b. Honeycomb Air Diffusers.
- c. Door Parts
- d. LED or Fluorescent Lights.
- e. Wire Racks & Solid Shelves to Fit All Major Brands Of Supermarket Cases.
- f. Glass Doors to Match Major Brands.
- g. Gaskets For All Types Of Doors, Solid And Glass.
- h. Price Tag Moldings.
- i. Case Ends.
- j. Wire Bottom Racks.
- k. Bottom Pans.
- l. Fans/Fan Motors/ Fan Blades.
- m. Defrost Heaters For Refrigeration Coils.

- n. Light Ballast & Drivers.
- o. Honeycomb Air Diffusers.
- p. Light Ends.
- q. Plugs and Receptacles, Plumbing Parts.
- r. Led & Fluorescent Fixtures.
- s. Solid Shelves to Fit All Major Brands Of Supermarket Cases.
- t. Price Tag Moldings.
- u. Fans/Fan Motors/Fan Blades.
- v. Brackets (When Applicable).
- w. Bottom Racks.
- x. Bottom Pans.
- y. Defrost Heaters For Refrigeration Coils.



Order online 24/7:  
[www.SMPW.com](http://www.SMPW.com)



Email:  
[sales@smpw.com](mailto:sales@smpw.com)



The Longer Shelf Life Company

Customer Service  
1-800-767-9855